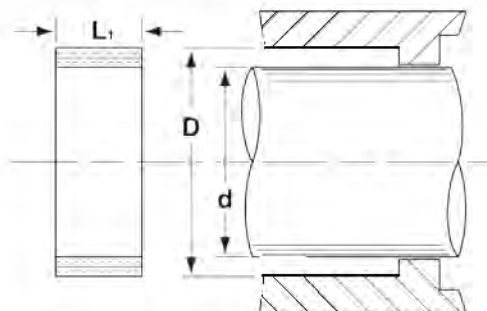


# MDU Metal Rod Bushings - Metric



**EXAMPLE: MDU-75X80X30**

Prefix	Inside Diameter		Outside Diameter		Height
MDU-	75	x	80	x	30
	75mm		80mm		30mm

Allegheny York offers a wide variety of metric DU bushings that are commonly found in Asian-built heavy equipment. These bushings are self-lubricating and made from a bronze alloy with a PTFE lining. They are split for ease of installation. Other sizes are available upon request. Contact sales for more information.

Part Number	Rod Diameter d	Groove Diameter D	Height L <sub>1</sub>
MDU-6X8X6	6	8	6
MDU-6X8X8	6	8	8
MDU-8X10X10	8	10	10
MDU-8X10X12	8	10	12
MDU-8X10X15	8	10	15
MDU-10X12X10	10	12	10
MDU-10X12X12	10	12	12
MDU-12X14X10	12	14	10
MDU-12X14X20	12	14	20
MDU-16X18X12	16	18	12
MDU-16X18X15	16	18	15
MDU-16X18X20	16	18	20
MDU-16X18X25	16	18	25
MDU-18X20X20	18	20	20
MDU-18X20X22	18	20	22
MDU-20X23X15	20	23	15
MDU-20X23X25	20	23	25
MDU-20X23X30	20	23	30
MDU-20X23X40	20	23	40
MDU-22X25X20	22	25	20
MDU-22X25X25	22	25	25
MDU-25X28X15	25	28	15
MDU-25X28X20	25	28	20
MDU-25X28X25	25	28	25
MDU-25X28X30	25	28	30
MDU-25X28X40	25	28	40
MDU-25.4X28.57X19.05	25.4	28.57	19.05
MDU-28X32X25	28	32	25
MDU-30X34X12	30	34	12
MDU-30X34X20	30	34	20
MDU-30X34X25	30	34	25
MDU-30X34X30	30	34	30
MDU-30X34X35	30	34	35
MDU-30X34X40	30	34	40
MDU-32X36X40	32	36	40
MDU-35X39X12	35	39	12
MDU-35X39X20	35	39	20

Part Number	Rod Diameter d	Groove Diameter D	Height L <sub>1</sub>
MDU-35X39X25	35	39	25
MDU-35X39X30	35	39	30
MDU-35X39X40	35	39	40
MDU-35X39X50	35	39	50
MDU-38X42X32	38	42	32
MDU-40X44X12	40	44	12
MDU-40X44X15	40	44	15
MDU-40X44X20	40	44	20
MDU-40X44X25	40	44	25
MDU-40X44X30	40	44	30
MDU-40X44X40	40	44	40
MDU-40X44X50	40	44	50
MDU-40X45X25	40	45	25
MDU-40X45X30	40	45	30
MDU-45X50X12	45	50	12
MDU-45X50X20	45	50	20
MDU-45X50X25	45	50	25
MDU-45X50X30	45	50	30
MDU-45X50X40	45	50	40
MDU-45X50X50	45	50	50
MDU-50X55X12	50	55	12
MDU-50X55X20	50	55	20
MDU-50X55X25	50	55	25
MDU-50X55X30	50	55	30
MDU-50X55X35	50	55	35
MDU-50X55X40	50	55	40
MDU-50X55X50	50	55	50
MDU-50X55X60	50	55	60
MDU-50.8X55.56X28	50.8	55.56	28
MDU-55X60X12	55	60	12
MDU-55X60X20	55	60	20
MDU-55X60X25	55	60	25
MDU-55X60X30	55	60	30
MDU-55X60X35	55	60	35
MDU-55X60X40	55	60	40
MDU-55X60X50	55	60	50
MDU-55X60X60	55	60	60

**MDU Metal Rod Bushings - Metric, cont'd.**

Part Number	Rod Diameter d	Groove Diameter D	Height L <sub>1</sub>
MDU-60X65X15	60	65	15
MDU-60X65X30	60	65	30
MDU-60X65X35	60	65	35
MDU-60X65X40	60	65	40
MDU-60X65X50	60	65	50
MDU-60X65X55	60	65	55
MDU-60X65X60	60	65	60
MDU-60X65X70	60	65	70
MDU-65X70X15	65	70	15
MDU-65X70X30	65	70	30
MDU-65X70X35	65	70	35
MDU-65X70X40	65	70	40
MDU-65X70X50	65	70	50
MDU-65X70X60	65	70	60
MDU-70X75X15	70	75	15
MDU-70X75X20	70	75	20
MDU-70X75X25	70	75	25
MDU-70X75X30	70	75	30
MDU-70X75X35	70	75	35
MDU-70X75X40	70	75	40
MDU-70X75X50	70	75	50
MDU-70X75X60	70	75	60
MDU-70X75X70	70	75	70
MDU-75X80X30	75	80	30
MDU-75X80X40	75	80	40
MDU-75X80X50	75	80	50
MDU-75X80X60	75	80	60
MDU-75X80X80	75	80	80
MDU-80X85X15	80	85	15
MDU-80X85X25	80	85	25
MDU-80X85X30	80	85	30
MDU-80X85X40	80	85	40
MDU-80X85X50	80	85	50
MDU-80X85X60	80	85	60
MDU-80X85X70	80	85	70
MDU-80X85X100	80	85	100
MDU-85X90X30	85	90	30
MDU-85X90X40	85	90	40
MDU-85X90X50	85	90	50
MDU-85X90X60	85	90	60
MDU-85X90X70	85	90	70
MDU-85X90X100	85	90	100
MDU-85X90X125	85	90	125
MDU-90X95X20	90	95	20
MDU-90X95X30	90	95	30
MDU-90X95X35	90	95	35
MDU-90X95X40	90	95	40
MDU-90X95X45	90	95	45
MDU-90X95X50	90	95	50
MDU-90X95X60	90	95	60
MDU-90X95X100	90	95	100
MDU-95X100X30	95	100	30
MDU-95X100X35	95	100	35
MDU-95X100X40	95	100	40

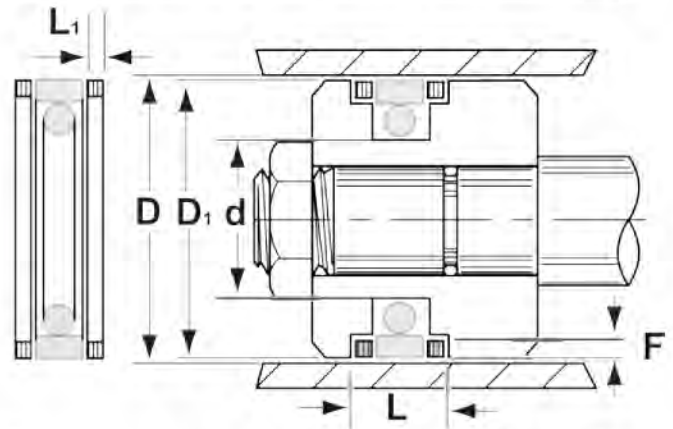
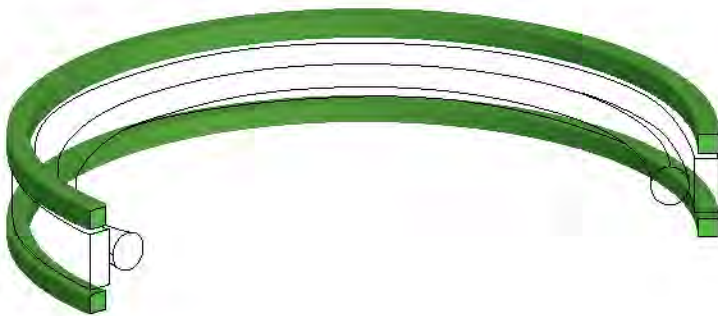
Part Number	Rod Diameter d	Groove Diameter D	Height L <sub>1</sub>
MDU-95X100X45	95	100	45
MDU-95X100X50	95	100	50
MDU-95X100X60	95	100	60
MDU-95X100X100	95	100	100
MDU-100X105X15	100	105	15
MDU-100X105X20	100	105	20
MDU-100X105X30	100	105	30
MDU-100X105X35	100	105	35
MDU-100X105X40	100	105	40
MDU-100X105X50	100	105	50
MDU-100X105X60	100	105	60
MDU-100X105X70	100	105	70
MDU-100X105X80	100	105	80
MDU-105X110X30	105	110	30
MDU-105X110X35	105	110	35
MDU-105X110X40	105	110	40
MDU-105X110X45	105	110	45
MDU-105X110X50	105	110	50
MDU-105X110X60	105	110	60
MDU-110X115X20	110	115	20
MDU-110X115X30	110	115	30
MDU-110X115X35	110	115	35
MDU-110X115X40	110	115	40
MDU-110X115X45	110	115	45
MDU-110X115X50	110	115	50
MDU-110X115X55	110	115	55
MDU-110X115X60	110	115	60
MDU-110X115X70	110	115	70
MDU-110X115X95	110	115	95
MDU-110X115X115	110	115	115
MDU-115X120X35	115	120	35
MDU-115X120X45	115	120	45
MDU-115X120X50	115	120	50
MDU-115X120X60	115	120	60
MDU-115X120X70	115	120	70
MDU-120X125X20	120	125	20
MDU-120X125X35	120	125	35
MDU-120X125X40	120	125	40
MDU-120X125X50	120	125	50
MDU-120X125X60	120	125	60
MDU-120X125X70	120	125	70
MDU-120X125X95	120	125	95
MDU-125X130X35	125	130	35
MDU-125X130X50	125	130	50
MDU-125X130X60	125	130	60
MDU-125X130X70	125	130	70
MDU-125X130X100	125	130	100
MDU-130X135X35	130	135	35
MDU-130X135X40	130	135	40
MDU-130X135X50	130	135	50
MDU-130X135X60	130	135	60
MDU-130X135X65	130	135	65
MDU-130X135X80	130	135	80
MDU-135X140X60	135	140	60

## MDU Metal Rod Bushings - Metric, cont'd.

Part Number	Rod Diameter d	Groove Diameter D	Height L <sub>1</sub>
MDU-135X140X80	135	140	80
MDU-140X145X35	140	145	35
MDU-140X145X40	140	145	40
MDU-140X145X50	140	145	50
MDU-140X145X55	140	145	55
MDU-140X145X60	140	145	60
MDU-140X145X70	140	145	70
MDU-140X145X80	140	145	80
MDU-145X150X60	145	150	60
MDU-150X155X40	150	155	40
MDU-150X155X50	150	155	50

Part Number	Rod Diameter d	Groove Diameter D	Height L <sub>1</sub>
MDU-150X155X60	150	155	60
MDU-150X155X80	150	155	80
MDU-150X155X100	150	155	100
MDU-160X165X40	160	165	40
MDU-160X165X50	160	165	50
MDU-160X165X100	160	165	100
MDU-170X175X35	170	175	35
MDU-170X175X50	170	175	50
MDU-180X185X50	180	185	50
MDU-180X185X90	180	185	90
MDU-200X205X32	200	205	32

## PSBU Nylon Piston Seal Backup Rings - Metric



EXAMPLE: PSBU-120X3X3					
Prefix	Outside Diameter		Cross Section		Height
PSBU-	120	x	3	x	3
	120mm		3mm		3mm

This nylon backup ring is used next to PTFE piston seals for added extrusion resistance, and can boost pressure ratings for the seal. They are commonly found on Asian-manufactured construction equipment. They are used in pairs, but sold individually.

See piston seal section page 182 for the seals.

Other sizes are available upon request. Contact sales for more information.

\* Seal not included

Temperature: -65° to 220° F

Pressure: 0 to 7,500 PSI

Part Number	Nom ID	Bore Dia. D	C/S F	Height L <sub>1</sub>
PSBU-90X2.5X2.5	85	90	2.5	2.5
PSBU-95X2.5X2.5	90	95	2.5	2.5
PSBU-100X2.5X2.5	95	100	2.5	2.5
PSBU-105X2.5X2.5	100	105	2.5	2.5
PSBU-110X2.5X2.5	105	110	2.5	2.5
PSBU-110X3X3	104	110	3	3
PSBU-115X2.5X2.5	110	115	2.5	2.5
PSBU-115X3X3	109	115	3	3
PSBU-120X3X3	114	120	3	3
PSBU-125X3X3	119	125	3	3
PSBU-130X3X3	124	130	3	3

Part Number	Nom ID	Bore Dia. D	C/S F	Height L <sub>1</sub>
PSBU-135X3X3	129	135	3	3
PSBU-140X3X3	134	140	3	3
PSBU-145X3X3	139	145	3	3
PSBU-150X3X3	144	150	3	3
PSBU-160X3X3	154	160	3	3
PSBU-165X3X3	159	165	3	3
PSBU-170X3X3	164	170	3	3
PSBU-180X3X3	174	180	3	3
PSBU-190X3X3	184	190	3	3
PSBU-215X3X3	209	215	3	3